



5.08mm pitch pluggable rising clamp terminal blocks

Product overview

- 2-24 pole solid block
- Professional rising clamp terminals
- Moulded in green UL94-V0 flame retardant PA66
- Cable acceptance - 0.32 to 1.6mm² (28-14AWG) solid and stranded cable
- Pluggable male and female connectors
- Open and closed headers
- Horizontal and vertical female plug styles
- Polarised mouldings
- Anti solder wicking
- Captive screws and guided pin alignment
- approved

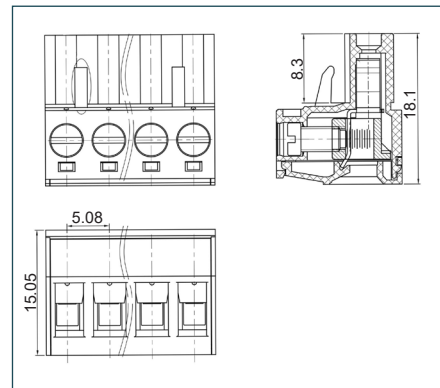
SPECIFICATION

Rating	UL=15A/300V, VDE=20A/450V
Insulation resistance	500M Ω/500V
Withstand voltage	AC2000V/1min
Contact resistance	20mΩ (max)
Working temperature	-40°C to +105°C
Mouldings	UL94-V0 flame retardant PA66
Pin/terminal	Tin plated brass
Rising clamp	Brass, nickel plated
Screw/torque	M3 steel, zinc plated 0.5Nm
Recommended PCB hole size	ø1.7mm

Female connector

PART NO.	POLES	LENGTH
CTBP9208/2	2	10.2mm
CTBP9208/3	3	15.2mm
CTBP9208/4	4	20.3mm
CTBP9208/5	5	25.4mm
CTBP9208/6	6	30.5mm
CTBP9208/7	7	35.6mm
CTBP9208/8	8	40.6mm
CTBP9208/9	9	45.7mm
CTBP9208/10	10	50.8mm
CTBP9208/11	11	55.9mm
CTBP9208/12	12	61mm

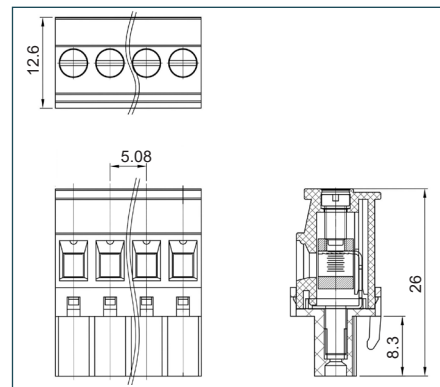
CTBP9208



Female vertical connector (standard)

PART NO.	POLES	LENGTH
CTBP92VJ/2S	2	10.2mm
CTBP92VJ/3S	3	15.2mm
CTBP92VJ/4S	4	20.3mm
CTBP92VJ/5S	5	25.4mm
CTBP92VJ/6S	6	30.5mm
CTBP92VJ/7S	7	35.6mm
CTBP92VJ/8S	8	40.6mm
CTBP92VJ/9S	9	45.7mm
CTBP92VJ/10S	10	50.8mm
CTBP92VJ/11S	11	55.9mm
CTBP92VJ/12S	12	61mm

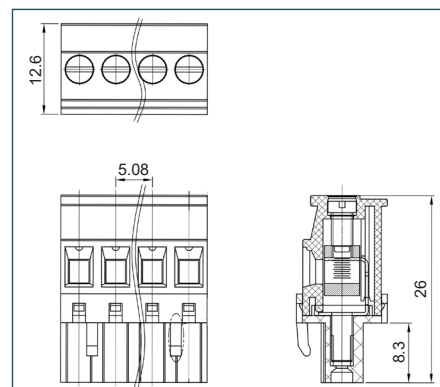
CTBP92VJ S



Female vertical connector (reversed)

PART NO.	POLES	LENGTH
CTBP92VJ/2R	2	10.2mm
CTBP92VJ/3R	3	15.2mm
CTBP92VJ/4R	4	20.3mm
CTBP92VJ/5R	5	25.4mm
CTBP92VJ/6R	6	30.5mm
CTBP92VJ/7R	7	35.6mm
CTBP92VJ/8R	8	40.6mm
CTBP92VJ/9R	9	45.7mm
CTBP92VJ/10R	10	50.8mm
CTBP92VJ/11R	11	55.9mm
CTBP92VJ/12R	12	61mm

CTBP92VJ R





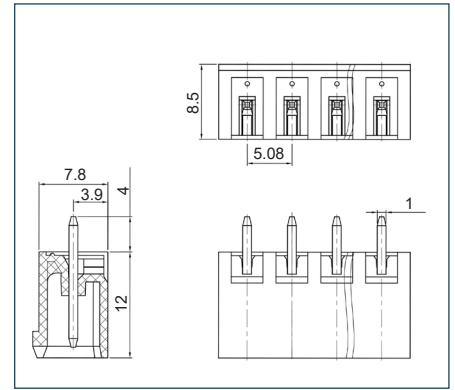
002

PCB TERMINAL
BLOCKS

PCB mounting male vertical connector (closed ended)

PART NO.	POLES	LENGTH
CTBP9308/2	2	11.6mm
CTBP9308/3	3	16.6mm
CTBP9308/4	4	21.7mm
CTBP9308/5	5	26.8mm
CTBP9308/6	6	31.9mm
CTBP9308/7	7	37.0mm
CTBP9308/8	8	42.0mm
CTBP9308/9	9	47.1mm
CTBP9308/10	10	52.2mm
CTBP9308/11	11	57.3mm
CTBP9308/12	12	62.4mm

CTBP9308



081

TERMINAL STRIPS

095

WIRE TO BOARD
CONNECTORS

100

CIRCULAR
CONNECTORS

151

IP68 CONNECTORS

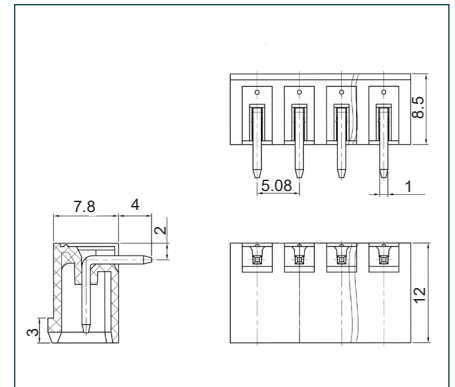
158

INTERFACE
MODULES AND
RELAY BASES

PCB mounting male horizontal connector (closed ended)

PART NO.	POLES	LENGTH
CTBP9358/2	2	11.6mm
CTBP9358/3	3	16.6mm
CTBP9358/4	4	21.7mm
CTBP9358/5	5	26.8mm
CTBP9358/6	6	31.9mm
CTBP9358/7	7	37.0mm
CTBP9358/8	8	42.0mm
CTBP9358/9	9	47.1mm
CTBP9358/10	10	52.2mm
CTBP9358/11	11	57.3mm
CTBP9358/12	12	62.4mm

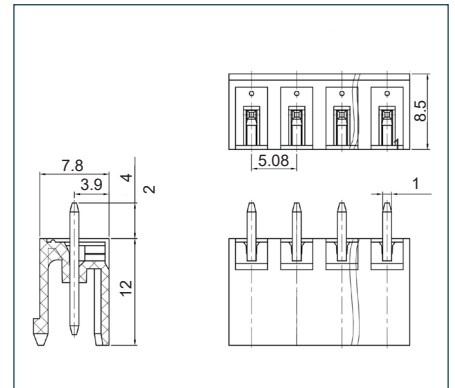
CTBP9358



PCB mounting male vertical connector (open ended)

PART NO.	POLES	LENGTH
CTBP9308/2AO	2	10.2mm
CTBP9308/3AO	3	15.2mm
CTBP9308/4AO	4	20.3mm
CTBP9308/5AO	5	25.4mm
CTBP9308/6AO	6	30.5mm
CTBP9308/7AO	7	35.6mm
CTBP9308/8AO	8	40.6mm
CTBP9308/9AO	9	45.7mm
CTBP9308/10AO	10	50.8mm
CTBP9308/11AO	11	55.9mm
CTBP9308/12AO	12	61mm

CTBP9308 AO



PCB mounting male horizontal connector (open ended)

PART NO.	POLES	LENGTH
CTBP9358/2AO	2	10.2mm
CTBP9358/3AO	3	15.2mm
CTBP9358/4AO	4	20.3mm
CTBP9358/5AO	5	25.4mm
CTBP9358/6AO	6	30.5mm
CTBP9358/7AO	7	35.6mm
CTBP9358/8AO	8	40.6mm
CTBP9358/9AO	9	45.7mm
CTBP9358/10AO	10	50.8mm
CTBP9358/11AO	11	55.9mm
CTBP9358/12AO	12	61mm

CTBP9358 AO

